

VISION-3

LIGHTING

Metal Halide Flood **MODEL FL19** 39 Watt Max., PAR20 Metal Halide

Specifications:

Body: Cast C84400 bronze or cast 356 aluminum. 18-8 stainless steel hardware.

Knuckle: Cast C84400 bronze or cast 356 aluminum Rotate and Lock Knuckle includes a 304 stainless steel nipple with 1/2" NPS male threads for use with industry standard mounts. Double taper allows fixture to hold vertical position during aiming and ensures a solid lock. Tapered clamp allows fixture to hold position during horizontal aiming, ensures a solid lock, and prevents the knuckle from coming apart when locking screw is loosened or removed. Two 18-8 stainless steel rotational stop pins allow a full 360° of rotation. High temperature silicone O-rings and a molded high temperature silicone wire pass-thru prevents water from entering fixture at knuckle. Knuckle design is protected under U.S. Patents #6,966,679, #7,108,405 and #7,458,552.

Cap: Cast C84400 bronze or cast 356 aluminum cap mounts to body with four captive 18-8 stainless steel fasteners, and seals by compressing a molded high temperature black silicone gasket around the lens and against the housing. Up to two lens accessories can be used, and are held in the molded silicone lens gasket.

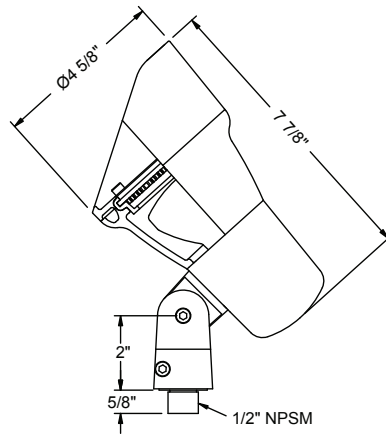
Finish: TGIC thermo set polyester powder coat paint available in 14 standard colors. On aluminum model, finish is applied over a corrosion resistant, hexavalent chromium free, RoHS compliant coating. Bronze model available in two additional finishes: Natural and Aged.

Socket: Medium base porcelain socket with nickel-plated copper contacts and 600V, 250° C, PTFE coated 18 ga leads.

Lamp: Medium base PAR20 Metal Halide lamp up to 39W (ballast required).

Lens: Tempered, 1/4" thick, stepped lens allows for flush mounting.

Certification: CSA tested & certified to US and Canadian safety standards per UL1598 for wet location use in: landscape and wall mount applications.



Ordering Information:

Model	Finish	Lamp ²	Lens Accy ¹	Filter ¹	Louver ¹	Ballast Catalog String ²
FL19A - Aluminum	BL - Black	0 - None	0 - None	0 - None	0 - None	Fixture must be specified with one of the following ballasts: BM1 - Stake Mount Ballast BM2 - In-Ground Ballast BM3 - In-Ground Remote Ballast BM4 - Wall Mount Remote Ballast BM5 - Wall Mount Canopy Ballast BM6 - Wall Mount Canopy Ballast
FL19B - Bronze	BLT - Textured Black	PAR20 Metal Halide:	L1 - Spread Lens	F1 - Red	H1 - Honeycomb Louver	
	BN - Bronze	32 - 39W, PAR20MH, 10° Spot	L2 - Linear Lens	F2 - Blue		
	BNT - Textured Bronze	33 - 39W, PAR20MH, 30° Flood	L3 - Softening Lens	F3 - Light Blue		
	BAT - Textured Bark			F4 - Green		
	WI - White			F5 - Amber		
	GRT - Textured Green			F6 - Pink		
	SI - Silver					
	GY - Grey					
	BE - Beige					
	GNT - Textured Granite					
	SAT - Textured Sand					
	PAT - Textured Patina					
	EAT - Textured Earth					
	NAT - Natural (FL19B only)					
	AGE - Aged (FL19B only)					

Notes:

1. Only two lens options may be specified.
2. See ballast submittal for specifications, limitations, and correct catalog number logic. Ballast type and wattage must match lamp type and wattage.
3. Specifications, certifications, and ordering information are subject to change. Please check website for latest specification sheets.

Example: FL19A - BNT - 32 - L1 - F2 - 0 - Ballast Catalog String